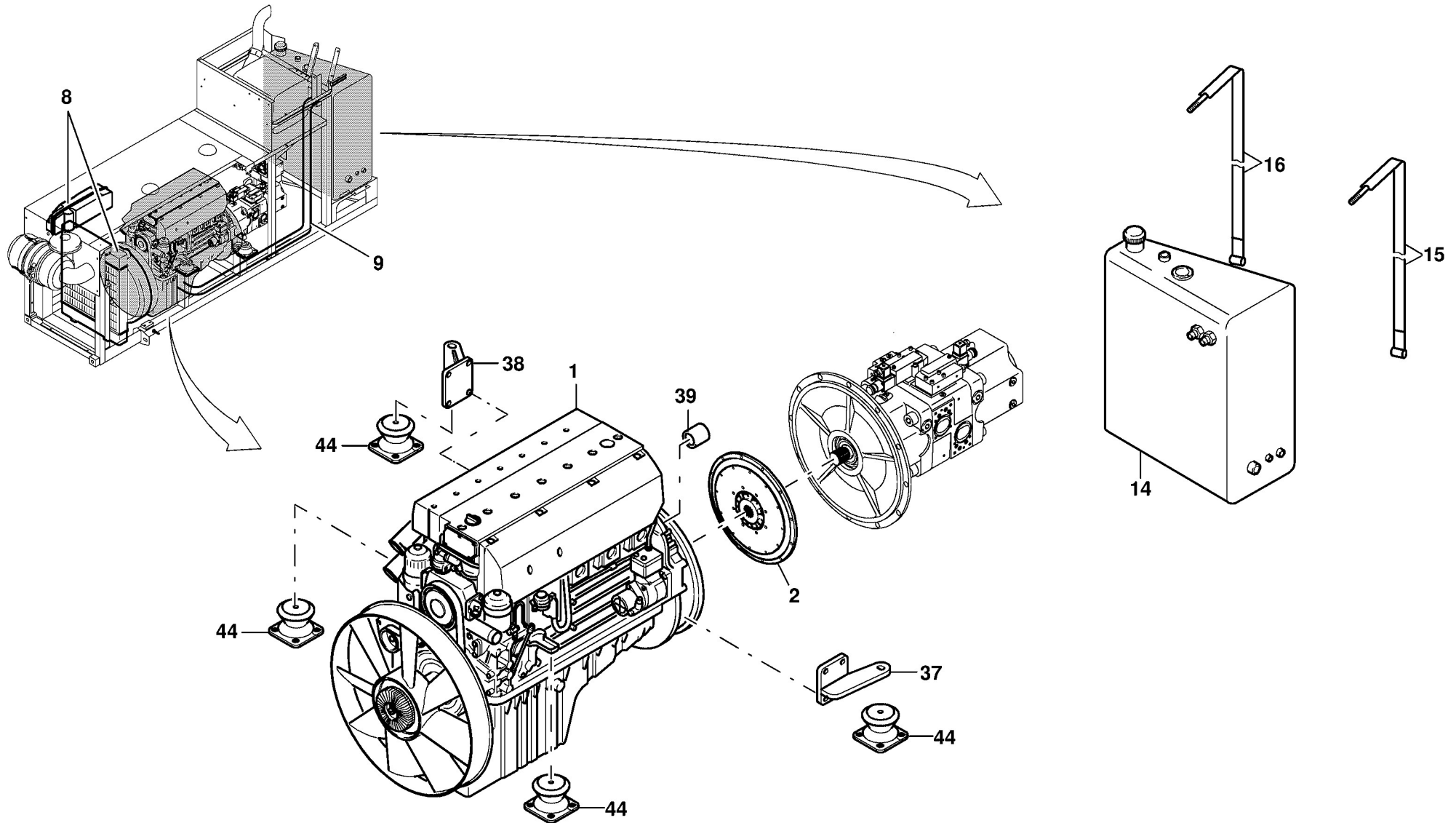


GROVEMOTOREINBAU
ENGINE ATTACHMENTBILDТАFEL
PICTORIAL DISPLAY

11.02

3008686-ETL J

1/2

GMK 5200
BE 660
G 626

GROVEMOTOREINBAU
ENGINE ATTACHMENTBILDТАFЕL
PICTORIAL DISPLAY

11.02

3008686-ETL J

2/2

GMK 5200
BE 660
G 626